

<b>Motor</b>	Cummins B6.7, Stage V
<b>Motor Gücü</b>	168 kW (225 hp)
<b>Çalışma Ağırlığı</b>	19,870 kg
<b>Kova Kapasitesi</b>	2.6 – 5.6 m <sup>3</sup>

# 856H TEKERLEKLİ YÜKLEYİCİ



## STEERING

### Description

Steering system: Load-sensing hydraulic articulated steering.  
 System supply: The steering system has priority feed from a load-sensing axial piston pump with variable displacement, Dual-pump confluence & Steering priority.  
 Steering cylinders: Two double-acting cylinders.

Steering configuration	Articulated
Steering relief pressure	18 MPa (2,611 psi)
Steering cylinders	2
Cylinder bore	120 mm (5")
Rod diameter	50 mm (2")
Stroke	395 mm (1' 5")
Maximum flow	90 L/min (23.8 gal/min)
Maximum articulation	±38°
Smallest turn (over tire)	6,158 mm (20' 2")

## DIMENSIONS

E Ground clearance	431 mm (1' 5")
G Wheelbase	3,320 mm (10' 11")
H Cab height	3,450 mm (11' 4")
J Wheel tread	2,150 mm (7' 1")
K Width over tires	2,750 mm (9')
L Length with bucket down	8,744 mm (28' 8")
M Turn angle, either side	38°
P Rear angle of departure	29°
R <sub>1</sub> Turning radius, bucket carry	6,911 mm (22' 8")
R <sub>2</sub> Turning radius, outside of tire	6,158 mm (20' 2")
W Width over bucket	2,928 mm (9'7")

## ELECTRICAL SYSTEM

### Description

Central warning system is a centralized electrical system with central warning light and buzzer for following functions: Serious engine fault, Low steering system pressure, Interruption in communication (computer failure), Low engine oil pressure, High engine oil temperature, High charge-air temperature, Low coolant level, High coolant temperature, Low transmission oil pressure, High transmission oil temperature, Low brake pressure, Engaged parking brake, Brake charging failure, High hydraulic oil temperature.

Voltage	24 V
Batteries	2 x 12 V
Battery capacity	2 x 120 Ah
Cold cranking capacity, approx	850 A
Reserve capacity	230 min
Alternator rating	1,960 W / 70 A
Starter motor output	4.8 kW (6.4 hp)

## CAB

### Description

Instrumentation: All important information is centrally located in the central instrument panel and operator's field of vision. Large curved front glass, rear view camera and mirrors ensure great visibility.

Adjustable steering column, air suspension seat, armrest box and Denso A/C with all-around air outlets.

Pressurized cab with lower interior noise. The cab is tested and approved according to ROPS (ISO 3471), FOPS (ISO 3449).

## LOADER ARM PERFORMANCE

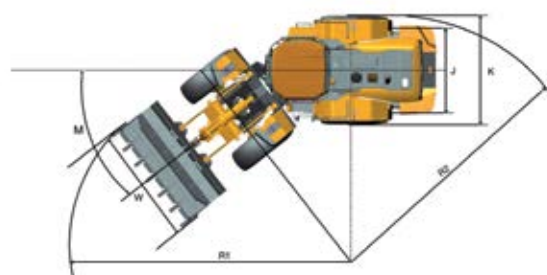
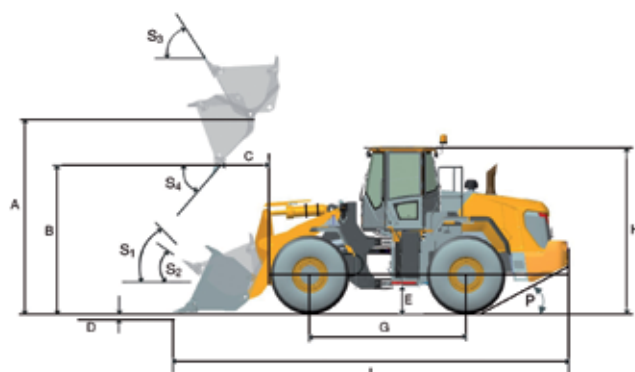
### Description

Tipping Load data is calculated with standard bucket at 3.1 m<sup>3</sup> (4.1 yd<sup>3</sup>) and operating weight at 18,600 kg (41,006 lb).

Tipping load - straight according to ISO 14397-1:2007	13,675 kg (30,148 lbs)
Tipping load - full turn according to ISO 14397-1:2007	11,875 kg (26,179 lbs)
Bucket breakout force	187 kN (42,039 lbf)
A Maximum hinge pin height	4,156 mm (13'7")
B Dump clearance at full height discharge	2,980 mm (9'9")
C Dump reach at full height discharge	1,207 mm (3'11")
D Maximum digging depth, bucket level	50 mm (2")
S <sub>1</sub> Bucket rollback at ground level	42.7°
S <sub>2</sub> Bucket rollback at carry	48°
S <sub>3</sub> Bucket rollback at maximum height	62.3°
S <sub>4</sub> Maximum dump angle at full height	45°

## SOUND & ENVIRONMENT

Sound level in cab according to ISO 6396-2008/EN ISO 3744-1995	69 dB(A)-- Travel mode
Sound level in cab according to ISO 6396-2008/EN ISO 3744-1995	70 dB(A)-- Stationary work cycle mode
External sound level according to ISO 6395-2008	105 dB(A)-- Travel mode
External sound level according to ISO 6395-2008	106 dB(A)-- Stationary work cycle mode
Ventilation	9.2 m <sup>3</sup> (12 yd <sup>3</sup> )
Heating capacity	5.8 kW (7.8 hp)
Air conditioning	6 kW (8 hp)





Çubuklu Mah. Boğaziçi Cad. No. 11 Kavacık - İstanbul / Turkey  
Tel: +90 (216) 425 88 68 Fax: +90 (216) 425 88 71  
info@uygunlar.com www.uygunlar.com

Sosyal Medya:

 [facebook.com/uygunlar](https://facebook.com/uygunlar)

 [twitter.com/uygunlar](https://twitter.com/uygunlar)

 [instagram.com/uygunlarmakina](https://instagram.com/uygunlarmakina)

Katalogda kullanılmış olan LiuGong logo serisi, kelime işaretleri, cihaz işaretleri, alfabe harf işaretleri ve birleşik işaretler dahil, Guangxi LiuGong Group Co., Ltd. firmasının tescil edilmiş ticari markası olup, Guangxi LiuGong Machinery Co., Ltd. tarafından, izin alınmadan kullanılamazlar. Teknik özellikler ve tasarımlar önceden haber vermeksizin değiştirilebilir. Çizimlerde ve resimlerde standart ekipmanda mevcut olmayan isteğe bağlı ekipmanlar yer almış olabilir. Ekipman ve opsiyonlar ülkelere ve bölgelere göre değişiklik arzedebilir.