

Engine

Yanmar 4TNV98

Net Power

44.5 kW (60 hp)

Operating Weight

7,500 kg

Bucket Capacity

0.32 m³

908E
EXCAVATOR



TOUGH WORLD. TOUGH EQUIPMENT.

MAXIMIZE YOUR RETURN ON INVESTMENT

POWERFUL ENGINE

The 908E is powered by Yanmar Tier 3 engine with a rated net power of 60 hp (44.5 kW) @ 2,200 rpm. Fuel tank capacity is extended to 170 L which prolongs your refueling interval. Auto idle system contributes to low fuel consumption and low noise.

COMFORTABLE OPERATION ENVIRONMENT

The 908E cab enlarges operating space by 27% compared with our previous model. Ergonomically designed controls, clear visibility and convenient features all contribute to operator comfort and overall productivity on the job site. Engine vibration is dampened with shock absorbing rubber mounts.

HIGHER TRACTIVE FORCE

For improved performance, the 908E boasts a 5.3% improvement in tractive force compared to the previous model.

EASY MAINTENANCE

A newly designed full-open type engine hood and large side doors make service easy and fast. All filters are accessible from ground level. With the large LCD monitor, the operator can check the machine's vital signs without leaving his seat.

WORKING MODES SELECTION

The 908E excavator is equipped with two working modes - E Economy mode and P Power mode. Both can be selected easily on the monitor to match production requirement.

HIGHER TRACTIVE FORCE

For improved performance, the 908E boasts a 5.3% improvement in tractive force compared to the previous model.



SPECIFICATIONS

OPERATING WEIGHT 7,500 kg

Operating weight includes coolant, lubricants, full fuel tank, cab, standard shoes, boom, arm, bucket and operator 75 kg.

BUCKET CAPACITY 0.32 m³

ENGINE

Description

Yanmar EU Stage IIIA, 3.3 liter, 4 stroke direct injection diesel engine.
Air cleaner: Direct flow air filter.
Cooling system: Charge-air cooler

Emission rating	EU Stage IIIA
Engine manufacturer	Yanmar
Engine model	4TNV98
Aspiration	Natural
Charged air cooling	Aftercooler
Cooling fan drive	Direct
Displacement	3.3 L
Rated speed	2,200 rpm
Engine output - net (SAE J1349 / ISO 9249)	44.5 kW (60 hp)
Engine output - gross (SAE J1995 / ISO 14396)	46.3 kW (62 hp)
Maximum torque	245 N·m @ 1,650 rpm
Bore × Stroke	98 × 110 mm

UNDERCARRIAGE

Track shoe each side	39
Link pitch	154 mm
Shoe width, triple grouser	450 mm / 600 mm
Bottom rollers each side	5
Top rollers each side	2

SWING SYSTEM

Description

Planetary gear reduction driven by high torque axial piston motor, with oil disk brake. Swing parking brake resets within five seconds after swing pilot controls return to neutral.

Swing speed	11 rpm
Swing torque	20,300 N·m

HYDRAULIC SYSTEM

Main pump

Type	One variable displacement piston pump
Maximum flow	167.2 L/min

Pilot pump

Type	Gear pump
Maximum flow	22 L/min

Relief valve setting

Implement	29.4 MPa
Travel circuit	29.4 MPa
Slew circuit	23.5 MPa
Pilot circuit	3.9 MPa

Hydraulic cylinders

Boom Cylinder – Bore × Stroke	Φ110 × 840 mm
Stick Cylinder – Bore × Stroke	Φ90 × 867 mm
Bucket Cylinder – Bore × Stroke	Φ80 × 710 mm

ELECTRIC SYSTEM

System Voltage	12 V
Batteries	12 V
Alternator	12 V - 55 A
Start motor	12 V - 3 kW

SERVICE CAPACITIES

Fuel tank	140 L
Engine oil	11.6 L
Final drive (each)	1.3 L
Cooling system	12 L
Hydraulic reservoir	80 L
Hydraulic system total	110 L

SOUND PERFORMANCE

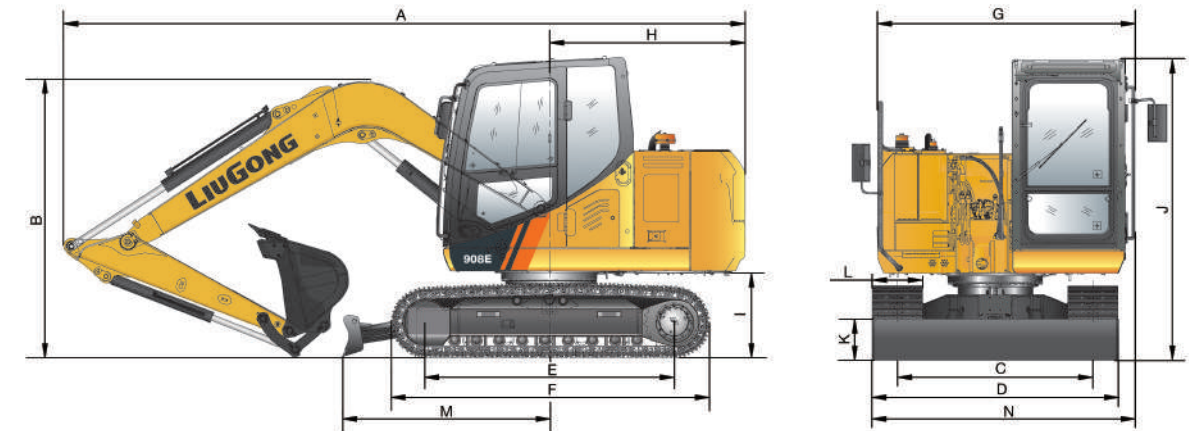
Interior Sound Power Level (ISO 6396)	70 dB(A)
Exterior Sound Power Level (ISO 6395)	99 dB(A)

DRIVE AND BRAKES

Description

2-speed axial piston motors with oil disk brakes. Steering controlled by two hand levers with pedals.

Max. travel speed	High: 4.8 km/h Low: 2.8 km/h
Gradeability	35%/70%
Max. drawbar pull	64 kN



DIMENSIONS

Boom	3,720 mm	
Arm Options	2,100 mm	1,650 mm
A Shipping Length	6,100 mm	
B Shipping Height – Top of Boom	2,700 mm	
C Track Gauge	1,750 mm	
D Undercarriage Width – with 450 mm Shoes	2,200 mm	
600 mm Shoes	2,350 mm	
E Length to Center of Rollers	2,230 mm	
F Track Length	2,845 mm	
G Overall Width of Upper Structure	2,215 mm	
H Tail Swing Radius	1,785 mm	
I Counterweight Ground Clearance	760 mm	
J Overall Height of Cab	2,865 mm	
K Min. Ground Clearance	360 mm	
L Track Shoe Width	450 mm	
M Length from Swing Center to Blade	1,855 mm	
N Overall Width	2,260 mm	

BOOM DIMENSIONS

Boom	3,720 mm	
Length	3,850 mm	
Height	1,370 mm	
Width	324 mm	
Weight	435 kg	

Cylinder, piping and pin included.
Boom cylinder pin excluded.

ARM DIMENSIONS

Arm	2,100 mm	1,650 mm
Length	2,660 mm	2,205 mm
Height	510 mm	510 mm
Width	244 mm	220 mm
Weight	210 kg	165 kg

Cylinder, linkage and pin included.

BUCKET SELECTION GUIDE

Bucket type	Capacity	Cutting width	Weight	Teeth pcs	3,720 mm boom	
					2,100 mm arm	1,650 mm arm
General Purpose	0.32 m ³	795 mm	263 kg	5	A	B

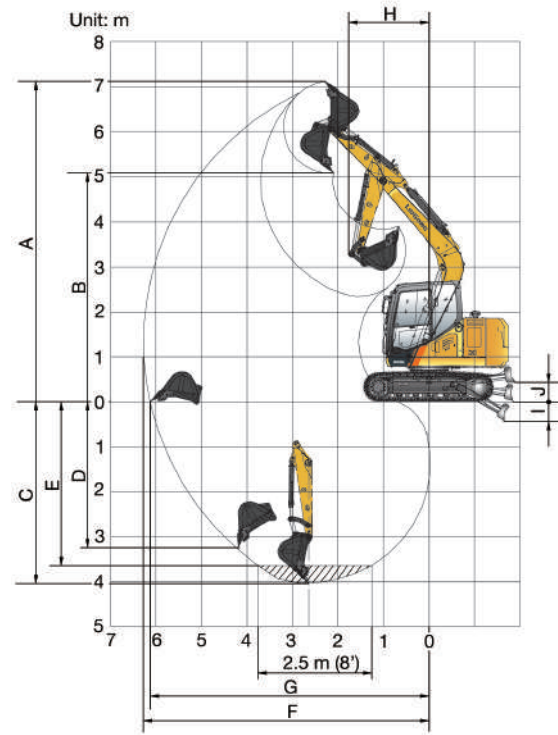
The recommendations are given as a guide only, based on typical operation conditions. Bucket capacity based on ISO 7451, heaped material with a 1:1 angle of repose.

Maximum material density:

A 1,200 - 1,300 kg/m³ (2,023 - 2,191 lb/yd³): Coal, Caliche, Shale
B 1,400 - 1,600 kg/m³ (2,360 - 2,697 lb/yd³): Wet earth and clay, limestone, sandstone
C 1,700 - 1,800 kg/m³ (2,865 - 3,034 lb/yd³): Granite, wet sand, well blasted rock
D 1,900 kg/m³ (3,203 lb/yd³): Wet mud, Iron ore
NA: Not applicable

MACHINE WEIGHTS AND GROUND PRESSURE

Shoe width (mm)	Operating weight			Ground pressure		
	Operating weight	Ground pressure	Overall width	Operating weight	Ground pressure	Overall width
	3,720 mm boom, 2,100 mm arm, 0.32 m ³ bucket, 625 kg counterweight			3,720 mm boom, 1,650 mm arm, 0.32 m ³ bucket, 625 kg counterweight		
450	7,550 kg	33.5 kPa	2,200 mm	7,500 kg	33.3 kPa	2,200 mm
600	7,700 kg	25.8 kPa	2,350 mm	7,700 kg	25.6 kPa	2,350 mm



WORKING RANGE	
Boom	3,720 mm
Arm Options	1,650 mm
A. Max. cutting height	7,115 mm
B. Max. dumping height	5,080 mm
C. Max. digging depth	4,030 mm
D. Max. vertical wall digging depth	3,240 mm
E. Max. digging depth (2.44 m level)	3,645 mm
F. Max. digging reach	6,270 mm
G. Max. digging reach on ground	6,125 mm
H. Min. front swing radius	1,785 mm
I. Depth below Ground	440 mm
J. Lift above Ground	425 mm
Bucket Digging Force (ISO)	56 kN
Arm Digging Force (ISO)	46 kN
Bucket Capacity	0.32 m ³

Lifting capacity at the arm end without bucket. For lifting capacity including bucket, weight of the bucket or the bucket with quick coupler must be deducted from the lifting capacities. Lifting capacities are based on the machine standing on a firm, uniform supporting surface.



- Do not attempt to lift or hold any load that is greater than these rated values at their specified load radius and height. Weight of all accessories must be deducted from the above lifting capacities.
- The rated loads are in compliance with ISO 10567 Hydraulic Excavator Lift Capacity Rating Standard. They do not exceed 87% of hydraulic lifting capacity or 75% tipping load.
- Ratings at bucket lift hook.
- Lifting capacities are based on machine standing on level, firm and uniform ground.
- *Indicates the load is limited by hydraulic capacity rather than tipping capacity.
- Operator should be fully acquainted with the Operator's and Maintenance Instructions before operating this machine and rules for the safe operation of equipment should be adhered to at all times.

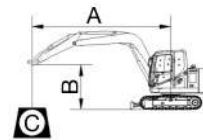
LIFTING CAPACITY (METRIC)

908E with 450 mm Shoes, 2,100 mm Arm

Conditions

A: Reach from swing center
B: Bucket hook height
C: Lifting capacity
Cf: Rating over front
Cs: Rating over side

Boom length: 3,720 mm
Arm length: 2,100 mm
Bucket: None
Shoes: 450 mm triple grouser
Unit: kg



Blade: Up

B (m)	A (Unit: m)											
	2		3		4		5		MAX REACH			
	Cf	Cs	Cf	Cs	Cf	Cs	Cf	Cs	Cf	Cs	A (m)	
4			*2,179	1,848	1,752	1,226	1,265	895	1,265	895	5.1	
3			2,618	1,747	1,705	1,182	1,255	885	1,174	830	5.5	
2			2,452	1,599	1,634	1,117	1,224	857	1,084	764	5.7	
1				2,295	1,460	1,563	1,051	1,190	824	1,063	743	5.8
0	4,406	2,379	2,200	1,376	1,509	1,002	1,162	798	1,046	727	5.6	
-1	4,403	2,376	2,165	1,345	1,483	978	1,151	788	1,151	788	5.3	
-2	4,457	2,419	2,174	1,353	1,488	982	526	526	1,302	879	4.7	
-3	*3,037	2,516	2,232	1,405				526	1,811	1,179	3.8	

Blade: Down											
B (m)	A (Unit: m)										
	2		3		4		5		MAX REACH		
	Cf	Cs	Cf	Cs	Cf	Cs	Cf	Cs	Cf	Cs	A (m)
4			*2,179	1,848	*2,163	1,226	*1,914	895	*1,914	895	5.1
3			*2,645	1,747	*2,369	1,182	*2,230	885	*2,215	830	5.5
2			*3,314	1,599	*2,678	1,117	*2,362	857	*2,266	764	5.7
1			*3,913	1,460	*2,980	1,051	*2,503	824	*2,299	743	5.8
0	*6,309	2,379	*4,208	1,376	*3,169	1,002	*2,584	798	*2,278	727	5.6
-1	*5,971	2,376	*4,182	1,345	*3,176	978	*2,515	788	*2,515	788	5.3
-2	*5,306	2,419	*3,843	1,353	*2,919	982			*2,517	879	4.7
-3	*3,037	2,516	*4,134	1,405					*2,552	1,179	3.8

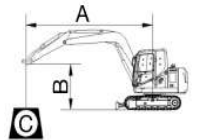
LIFTING CAPACITY (METRIC)

908E with 450 mm Shoes, 1,650 mm Arm

Conditions

A: Reach from swing center
B: Bucket hook height
C: Lifting capacity
Cf: Rating over front
Cs: Rating over side

Boom length: 3,720 mm
Arm length: 1,650 mm
Bucket: None
Shoes: 450 mm triple grouser
Unit: kg



Blade: Up

B (m)	A (Unit: m)										
	2		3		4		5		MAX REACH		
	Cf	Cs	Cf	Cs	Cf	Cs	Cf	Cs	Cf	Cs	A (m)
5			*2,716	2,096					2,186	1,596	3.7
4			2,836	2,056	1,986	1,456			1,696	1,276	4.5
3	*4,336	3,376	2,806	1,946	1,926	1,416	1,496	1,126	1,496	1,126	5.0
2			2,636	1,796	1,876	1,346	1,466	1,096	1,406	1,076	5.2
1			2,506	1,676	1,796	1,286	1,446	1,086	1,396	1,036	5.2
0			2,436	1,626	1,766	1,266	1,436	1,066	1,396	1,046	5.1
-1	4,696	2,666	2,426	1,616	1,756	1,246			1,516	1,106	4.7
-2	4,776	2,726	2,466	1,646	1,776	1,276			1,776	1,276	4.0

Blade: Down

B (m)	A (Unit: m)										
	2		3		4		5		MAX REACH		
	Cf	Cs	Cf	Cs	Cf	Cs	Cf	Cs	Cf	Cs	A (m)
5			*2,716	2,096					2,776	1,596	3.7
4			*2,836	2,056	2,726	1,456			2,666	1,276	4.5
3	*4,336	3,376	3,306	1,946	2,906	1,416	2,476	1,126	2,476	1,126	5.0
2			3,966	1,796	3,186	1,346	2,796	1,096	2,716	1,076	5.2
1			4,456	1,676	3,436	1,286	2,906	1,086	2,776	1,036	5.2
0			4,596	1,626	3,536	1,266	2,826	1,066	2,816	1,046	5.1
-1	5,156	2,666	4,426	1,616	3,446	1,246			2,906	1,106	4.7
-2	5,136	2,726	3,906	1,646	2,956	1,276			2,956	1,276	4.0

STANDARD EQUIPMENT

ENGINE SYSTEM

- Yanmar engine TNV98, EPA Tier 3/EU Stage IIIA, turbocharged, 4 cylinder, 4 stroke, water cooled.
- Air filter with pre-cleaner
- Pre-filter with water separator
- Auto-idle speed control
- Aspiration, Natural
- Radiator, oil cooler, and Charge Air Cooling - After cooler, cooling fan drive - direct drive
- Engine overheat prevention system
- Engine oil filter

DRIVETRAIN

- Hydraulic motor, one -piece two-gear piston and reducer
- 2-speed travel system with automatic shift

HYDRAULIC SYSTEM

- Main pump: one variable displacement piston pump
- Pilot pump: gear
- Cylinders: boom, stick, bucket
- Swing with anti-reverse function
- Arm regeneration circuits
- Pilot oil filter
- Load holding valve
- Pilot control shut-off lever
- 2-working mode selection system: Power, Economy

DIGGING EQUIPMENT

- 3,720 mm boom
- 1,650 mm arm
- Dozer blade

OPERATOR STATION

- Pressurized and sealed cab with all-around visibility, large roof window with slide sliding sun visor, front window wiper and removable lower window
- Air conditioner, heater, defroster
- Mechanical suspension seat
- AM/FM radio with MP3 audio jack
- Glass-breaking hammer
- Cigarette lighter
- Cup holder
- Floor mat
- Storage box
- Fire extinguisher
- One key for all locks
- Rear view mirrors

INSTRUMENTATION

- Color LCD monitor with alarms, filter/fluid change, fuel rate, water temperature, work mode, fault code, working hour, etc.
- Fuel gauge
- Hydraulic oil level gauge

ELECTRICAL

- Alternator 55 A
- Dual batteries 12 V
- Working lights, 1 frame mounted, 1 boom mounted
- Starting, 12 V

UNDERCARRIAGE

- 450 mm track-shoes with track shield (each side)
- Rollers, bottom - 5 each side, top - 2 each side

GUARDS

- Cover plate under travel frame

OTHER STANDARD EQUIPMENT

- Counterweight, 625 kg
- Maintenance tool kit
- Maintenance parts package

OPTIONAL EQUIPMENT

HYDRAULIC SYSTEM

- Hydraulic attachments rotation lines
- Overloading warning
- Hose burst safety valves, prevention of boom or arm supply dropped when the lines split.
- Dual way auxiliary lines
- Quick coupler lines (low and high pressure)

OPERATOR STATION

- Operation protection guard (included cab front and top guard, bar)
- Operation protection screen (cab front, net)
- Operation protection screen (front-lower)
- Roll-Over Protective System (ROPS)
- Refuelling pump

- Mechanic heated suspension seat
- Mechanic suspension seat

ELECTRICAL

- LED working lights on cab, 4 front and 2 rear
- Rearview camera
- Travel alarm
- Rotating beacon
- 4 boom working lights
- Working lights, 2 cab mounted

UPPER STRUCTURE

- Upper frame protection (wire)
- 8 mm thickness platform bottom plate

UNDERCARRIAGE

- 600 mm track-shoes
- 450mm rubber track
- 1 piece track-guard (each side)
- Towing eye on base frame

DIGGING EQUIPMENT

- Arm: 2,100 mm
- 0.32 m³ (SAE, heaped) bucket

ADDITIONAL OPTIONS

- Hydraulic hammer (Liugong Brand)
- Hydraulic hammer (Soosan Brand)



Guangxi LiuGong Machinery Co., Ltd.
No. 1 Liutai Road, Liuzhou, Guangxi,
PR China 545007

T: +86 772 388 6124

E: overseas@liugong.com

www.liugong.com

Like and follow us:



LG-BP-908E-T3-WW-A4-102017-ENG

LiuGong series of logos herein, including but not limited to word marks, device marks, letter of alphabet marks and combination marks, as the registered trademarks of Guangxi LiuGong Group Co., Ltd. are used by Guangxi LiuGong Machinery Co., Ltd. with legal permission, and shall not be used without permission. Specifications and designs are subject to change without notice. Illustrations and pictures may include optional equipment and may not include all standard equipment. Equipment and options varies by regional availability.