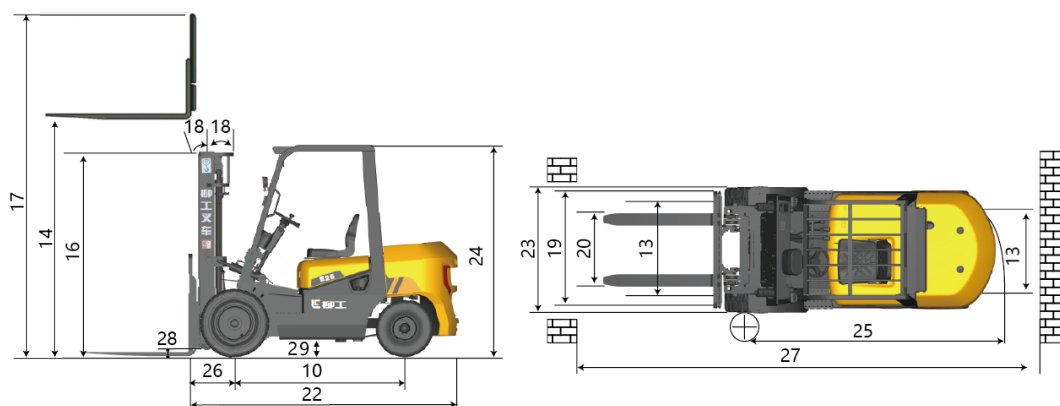


# PRODUCT SPECIFICATIONS

<b>General</b>	Model	1			CPCD25	
	Power Type	2			Diesel	
	Load Capacity	3		kg	2500	
<b>Weights</b>	Load Center Distance	4	@ rated load center	mm	500	
	Service Weight	5	unloaded	kg	3570	
	Axle Load	6	loaded,front/rear	kg	5300/760	
<b>Tires</b>		7	unloaded,front/ rear	kg	1360/2210	
	Tire Type	8			Pneumatic	
	Wheels	9	front / rear		2 / 2	
	Wheelbase	10		mm	1650	
	Tire Size	11	front		7.00-12-12PR	
<b>Mast</b>		12	rear		6.00-9-10PR	
	Tread Width	13	front/rear	mm	960/970	
	Max. Fork Height	14	with std 2-stage mast	mm	3000	
	Freelift	15	with std 2-stage mast	mm	140	
	Height, Upright Lowered	16	with std 2-stage mast	mm	2070	
	Height, Upright Extended	17	with std 2-stage mast	mm	4025	
	Mast Tilt, Fwd/Back	18	with std 2-stage mast	deg	6° / 12°	
	Fork Carriage	19	width	mm	1040	
	Fork Spread	20	minimum/maximum	mm	272/1072	
	Fork Dimension	21	T x W x L	mm	40 x 122 x 1070	
<b>Chassis</b>	Length to Fork Face	22	with std 2-stage mast	mm	2630	
	Overall Width	23		mm	1150	
	Overhead Guard Height	24		mm	2100	
	Turning Radius	25	minimum outside	mm	2230	
	Fork Overhang	26	with std 2-stage mast	mm	476	
	Min.right angle stacking aisle width	27	add load length and clearance	mm	4015	
	Ground Clearance	28	loaded below mast	mm	110	
<b>Performance</b>		29	center of wheelbase	mm	120	
	Travel Speed	30	loaded/unloaded	km/h	18 / 19	
	Lift Speed	31	loaded/unloaded	mm/s	490/510	
	Lowering Speed	32	loaded/unloaded	mm/s	460/480	
	Max. Drawbar Pull	33	loaded	N	23000	
<b>Systems</b>	Max. Gradeability	34	loaded/unloaded	%	20 / 20	
	Brakes	35	service		Foot/Hyd	
36		parking		Hand /Mech		
<b>Internal combustion</b>	Engine	37	manufacturer		Xinchai	
		38	model		3E22YG51	
		39	emission compliance		EU V	
		40	cylinders		3	
		41	displacement	L		2.23
		42	rated power	kw/rpm		44.8/2400
		43	max. torque	N.m/rpm		210/1800



**LIUGONG**

**E** SERIES



Engine	Xinchai
Fuel	Diesel
Rated load	2500kg
Rated Power	44.8 kW

# **CPCD25**

***E SERIES INTERNAL COMBUSTION  
COUNTERBALANCED FORKLIFT***

**TOUGH WORLD. TOUGH EQUIPMENT.**